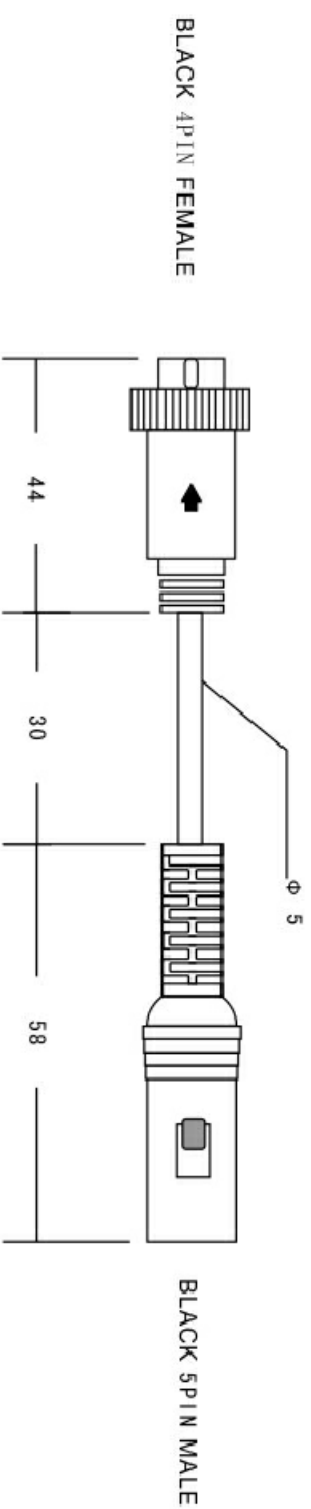
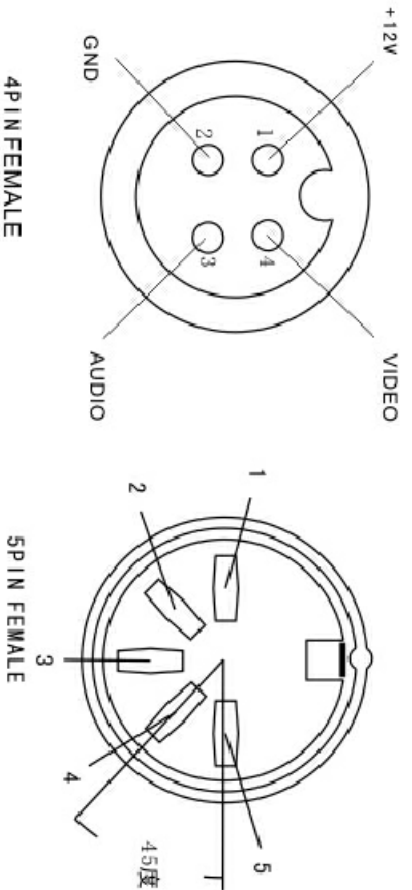


### 1. DIMENSION



### 2. FRONT VIEW



### 3. DEFINITION

UNIT: mm

5PIN FEMALE	1	2	3	4	5	
4PIN FEMALE	/	/	1	4	/	

**注意：外壳不接地**

说明	注意	制定日期 2007.8.10	图纸编号	广州敏视数码科技有限公司
		页码/页数 1 of 1	52	审核
			图纸名称 转接线52	

ITEMREF	QUANTITY	TITLE/NAME, DESIGNATION, MATERIAL, DIMENTION ETC	ARTICLE NO./REFERENCE
DESIGNED BY M.BUTLER	CHECKED BY	APPROVED_BY_DATE	DATE 06/05/08
		FILE NAME	SCALE NA

**BRIGADE ELECTRONICS PLC**

**AC-009**

BE-000557-00-08

EDITION  
0

SHEET  
1/1

PROPRIETARY NOTICE  
THIS DESIGN AND TECHNICAL INFORMATION APPEARING ON THIS DRAWING IS THE PROPERTY OF BRIGADE ELECTRONICS PLC, AND IS DISCLOSED IN CONFIDENCE. IT IS NOT TO BE COPIED, REPRODUCED, REVEALED TO OR APPROPRIATE BY OTHERS, EITHER IN WHOLE OR IN PART WITHOUT THE EXPRESS WRITTEN CONSENT OF BRIGADE ELECTRONICS PLC.